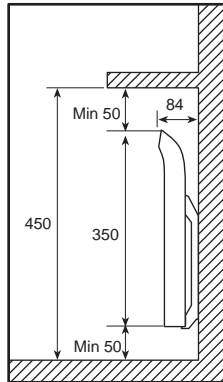
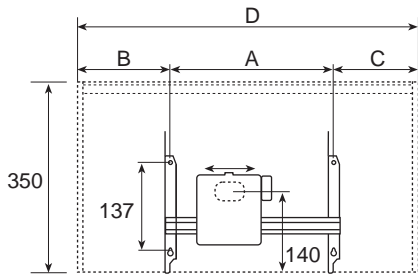


TPA • TLO • TPVD

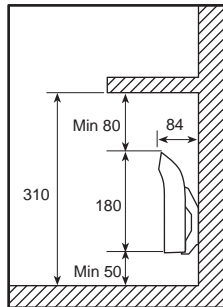
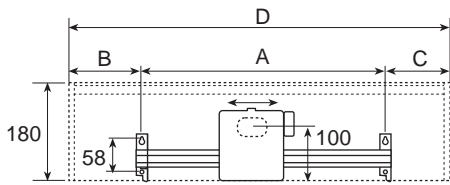
Serial no = S3

TPA / TPVD



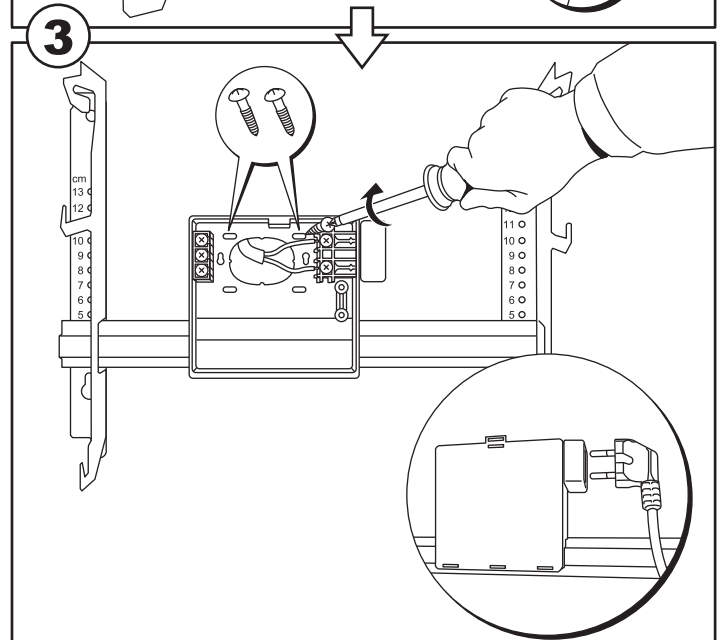
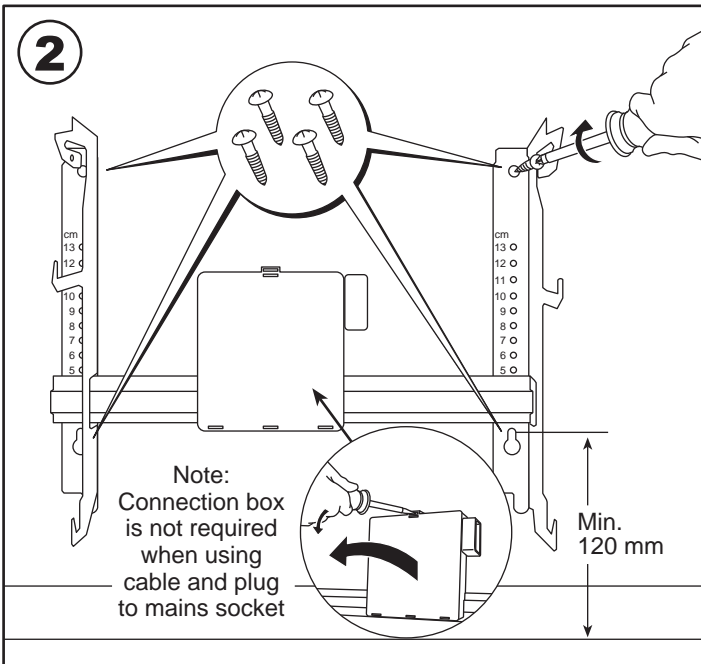
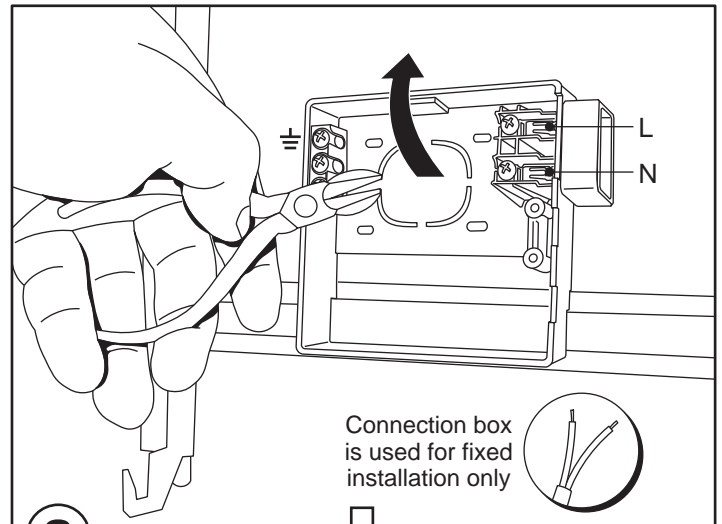
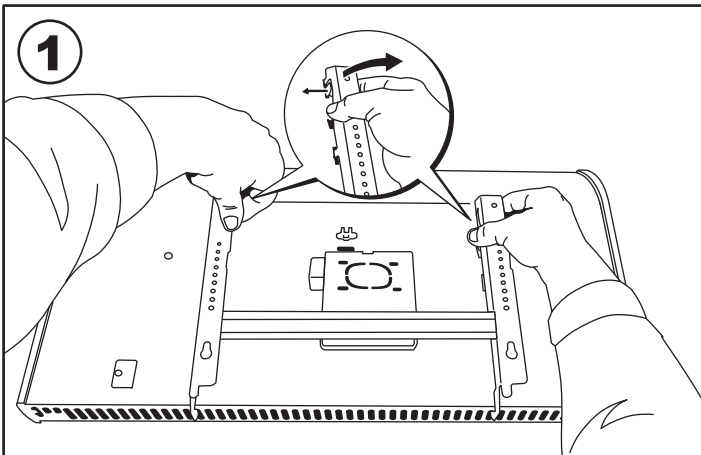
TPA/TPVD	Watt	B	A	C	D
TPA/TPVD 04	400	65	205	187	500
TPA/TPVD 06	600	175	300	175	650
TPA/TPVD 08	800	251	300	251	813
TPA/TPVD 10	1000	187	600	187	975
TPA 12	1200	231	600	231	1063
TPA 15	1500	377	600	377	1355
TPA 20	2000	315	1200	315	1670

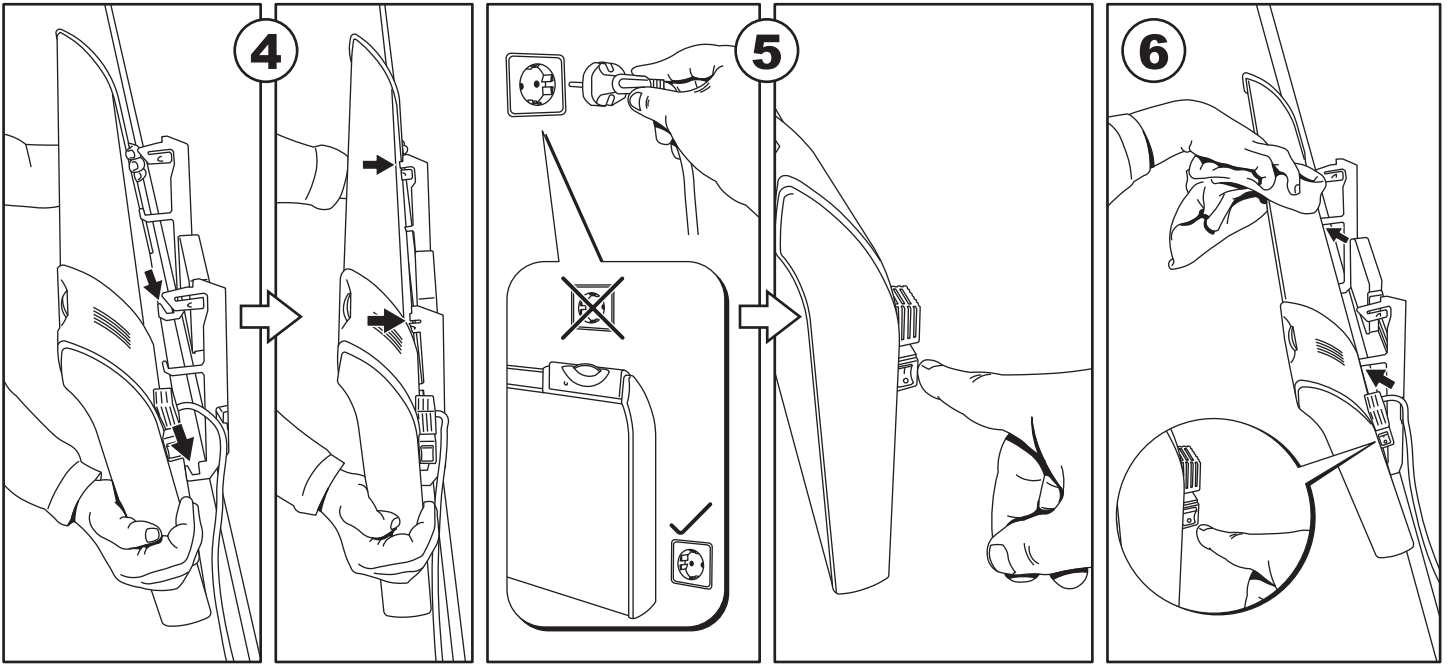
TLO



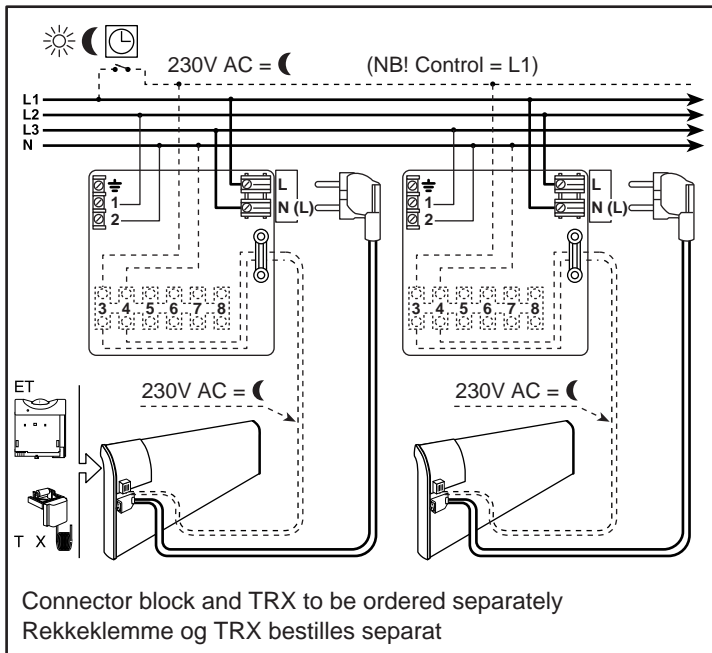
TLO	Watt	B	A	C	D
TLO 03	250	63	205	220	484
TLO 05	500	415	600	415	805
TLO 07	750	208	600	237	1050
TLO 10	1000	415	600	415	1430
TLO 14	1400	263	1200	442	1670

TPA60/TPVD60	Watt	B	A	C	D
TPA60/TPVD60 04	400	251	300	251	813
TPA60/TPVD60 06	600	231	600	231	1063
TPA60/TPVD60 08	800	315	600	315	1670
TPA60/TPVD60 10	1000	315	600	315	1670





400 volt diagram



Produced by Adax as

Adax orders office:

Tel: +47 33 77 17 55 / 33 77 17 57

Fax: +47 33 77 17 78

Service:

Tel: +47 33 77 17 92

Switchboard:

Tel: +47 33 77 17 50

Fax: +47 33 77 17 51

Office address:

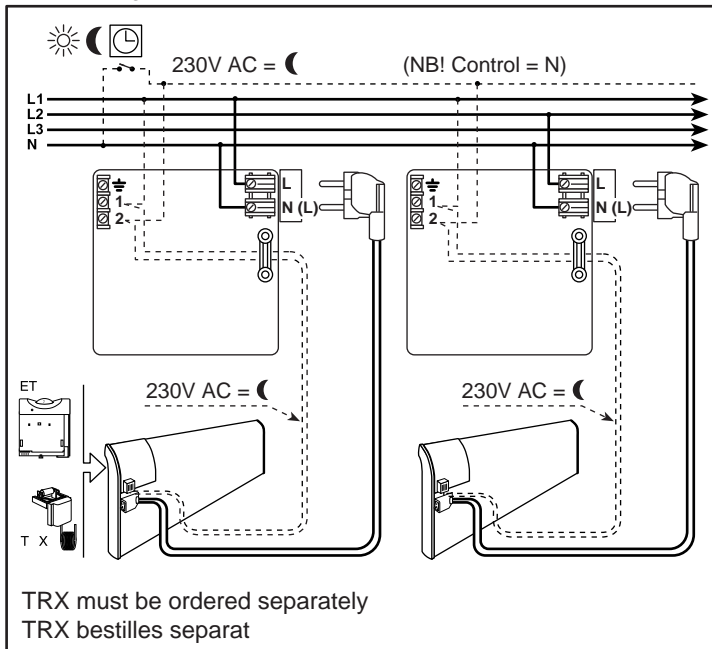
Adax as
Myhresgate 1

Postal address:

P.O. box 38
N-3061 Svelvik
Norway

<http://www.adax.no>

230 volt diagram



230 volt diagram

